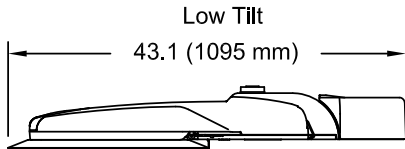
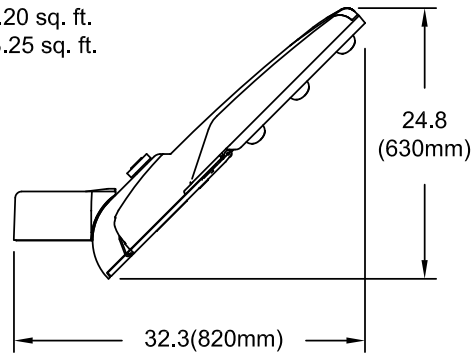


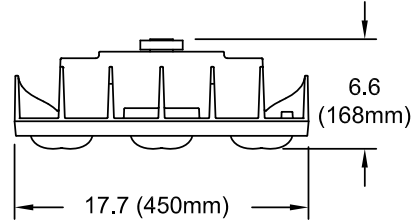
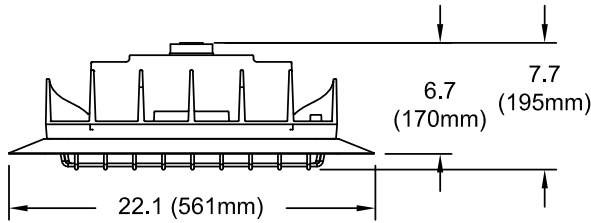
Weight = 50 lbs
 EPA Low Tilt = 1.20 sq. ft.
 EPA High Tilt = 3.25 sq. ft.



Uplight Skirt



High Tilt



MONGOOSE LED™
LED Roadway Lighting

**Infrastructure
 Outdoor**



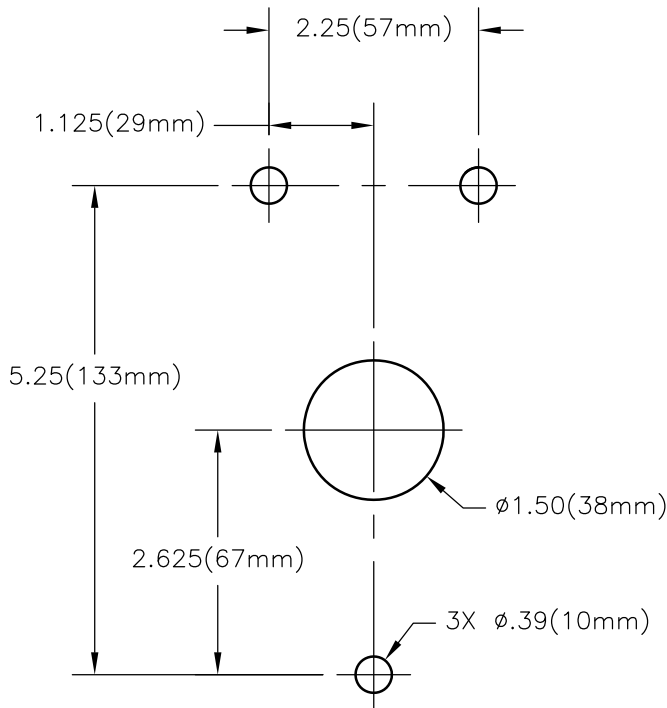
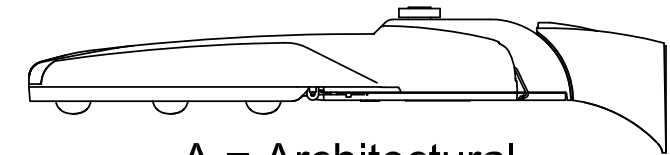
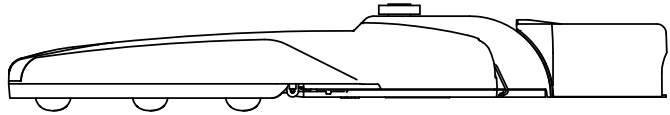
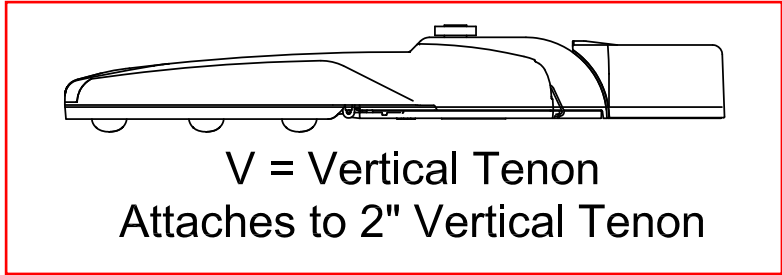
MGLED	6	4K	AS
Series Code	Number of LED'S	Color Temperature	Voltage
	4= 4 COB 5= 5 COB 6= 6 COB 7= 7 COB 8= 8 COB 9= 9 COB	3K= 3000 Kelvin 4K= 4000 Kelvin 5K= 5000 Kelvin	AS= 120V-277V AH= 347V-480V
W	H	V	G
Optics	Tilt Range	Mounting	Color
N = Narrow Roadway M = Medium Roadway W = Wide Roadway F = Forward Throw (Type 4) A = Area (Type 5)	H = High (27° - 45°) L = Low (0° - 18°)	V = Vertical Tenon H = Horizontal Arm A = Architectural	G = Gray H = Graphite K = Black N = Green W = White Z = Bronze
P7			
Standard Options		Special Options *	
NL = NEMA Label P3 = 3 PIN NEMA Photocontrol Receptacle P5 = 5 PIN NEMA Photocontrol Receptacle P7 = 7 PIN NEMA Photocontrol Receptacle DM = 0V – 10V dimmable driver DE = ROAM Concierge/Enterprise VE = ROAMview PCSS = DSS 120-277V Photocontrol PCL1 = DLL 120V Photocontrol PCL3 = DLL 347V Photocontrol PCL4 = DLL 480V Photocontrol PSC = Shorting Cap SP= Individual unit/Sample pack US = Uplight Skirt		ML=Multi-Level Dimming CLO = Constant Lumen Output *Additional information is required from the customer. Please contact Infrastructure TSG for assistance.	
		Accessories	
		MGLEDWG = WIRE GUARD KIT	

ORDERING INFORMATION:

THIS DRAWING, WHEN APPROVED, SHALL BECOME THE COMPLETE SPECIFICATION FOR THE MATERIAL TO BE FURNISHED BY HOLOPHANE ON THE ORDER NOTED ABOVE. A UNIT OF SIMILAR DESIGN MAY BE SUBSTITUTED FOR THE UNIT SPECIFIED HEREIN WITHOUT NOTICE. THE HOLOPHANE LOGO AND PHOTOCONTROL SYMBOL WILL BE SUPPLIED WITH EACH ANCHOR BOLT ORDER TO MATCH THE POLE PROVIDED. THIS PRINT IS THE PROPERTY OF HOLOPHANE AND IS LOANED SUBJECT TO RETURN UPON DEMAND AND UPON EXPRESS WRITTEN NOTICE TO RETURN TO OUR INTERESTS, AND ONLY IN CONNECTION WITH MATERIAL FURNISHED BY HOLOPHANE.

ORDER #:	
TYPE:	
DRAWN:	BGW
DATE:	9-29-16
DWG #:	MONGOOSE LED

Mounting



MONGOOSE LED™
LED Roadway Lighting

**Infrastructure
Outdoor**

HOLOPHANE®
LEADER IN LIGHTING SOLUTIONS
An Acuity Brands Company
© 2010 Acuity Brands Lighting, Inc., All Rights Reserved

THIS DRAWING, WHEN APPROVED, SHALL BECOME THE COMPLETE SPECIFICATION FOR THE MATERIAL TO BE FURNISHED BY HOLOPHANE ON THE ORDER NOTED ABOVE. A UNIT OF SIMILAR DESIGN MAY BE SUBMITTED FOR CONSIDERATION. HOLOPHANE'S POLICY IS TO FURNISH THE BEST QUALITY MATERIALS AND WORKMANSHIP AT THE LOWEST COST. HOLOPHANE WILL BE SUPPLIED WITH EACH ANCHOR BOLT ORDER TO MATCH THE POLE PROVIDED. THIS PRINT IS THE PROPERTY OF HOLOPHANE AND IS LOANED SUBJECT TO RETURN UPON DEMAND AND UPON EXPRESS WRITTEN REQUEST. HOLOPHANE ASSUMES NO LIABILITY IN ANY WAY DETRIMENTAL TO OUR INTERESTS, AND ONLY IN CONNECTION WITH MATERIAL FURNISHED BY HOLOPHANE.

ORDER #:	
TYPE:	
DRAWN:	BGW
DATE:	9-29-16
DWG #:	MONGOOSE LED

LED Count	Distribution	Std. Unit - 4000K CCT		US Option - 4000K CCT		LLD @ 25°C			
		Lumens	LPW	Lumens	LPW	Input Watts	50K Hours	75K Hours	100K Hours
9 Chip	Narrow	48283	128	48032	128	376	0.89	0.86	0.83
	Medium	47185	125	46683	124				
	Wide	46416	123	46302	123				
	Forward Throw	45483	121	45533	121				
	Area	50214	134	48895	130				
8 Chip	Narrow	43,083	128	42411	126	336	0.89	0.86	0.83
	Medium	42,142	125	41285	123				
	Wide	41,385	123	40743	121				
	Forward Throw	40,584	121	40170	120				
	Area	44,806	133	43177	129				
7 Chip	Narrow	38,021	128	37266	126	296	0.89	0.86	0.83
	Medium	37,205	126	36278	123				
	Wide	36,461	123	35805	121				
	Forward Throw	35816	121	35340	119				
	Area	39,542	134	37972	128				
6 Chip	Narrow	32,525	128	32147	126	255	0.89	0.86	0.83
	Medium	31,953	125	31454	123				
	Wide	31,321	123	31006	122				
	Forward Throw	30,639	120	30484	120				
	Area	33,826	133	32797	129				
5 Chip	Narrow	26,785	128	26462	126	210	0.89	0.86	0.83
	Medium	26,314	125	25877	123				
	Wide	25,794	123	25496	121				
	Forward Throw	25,232	120	25135	120				
	Area	27,857	133	27017	129				
4 Chip	Narrow	21,428	128	21199	126	168	0.89	0.86	0.83
	Medium	21,051	125	20718	123				
	Wide	20,635	123	20433	122				
	Forward Throw	20,185	120	20182	120				
	Area	22,285	133	21635	129				

5000K CCT lumens are equal to 4000K CCT lumens
3000K CCT lumens are equal to 4000K CCT lumens multiplied by .93.

Specifications

Optical

Performance is comparable to 150 - 400 watt HID

IP66 rated borosilicate glass optics ensure longevity and minimize dirt depreciation

4,000K CCT, 70 CRI Min. or optional 5,000K CCT, 70 CRI Min.

Available with Narrow roadway, Medium Roadway, Wide Roadway, Forward Throw, and Area Type lighting distributions

Electrical

Electronic driver has an expected life of 100,000 hours at 25°C

LED light engines are rated > 100,000 at 25°C, L70

Robust ANSI/IEEE 62.41 Category C 10kV/5kA surge protection.

Mechanical

Rugged low copper diecast aluminum coupled with a rigorous 5-stage pretreatment, epoxy basecoat and polyester topcoat yield a finish that achieves a scribe creepage rating of 8 after 5,000 hours of salt spray.

Removable "power door" facilitates product installation and maintenance

Corrosion resistant stainless steel latches ensure secure closure over the long fixture life

Multiple mounting configurations allow for attachment to horizontal mast arms, pole top tenons, and direct mounting to square poles. All Mountings are 3G vibration rated per ANSI C136

Adjustable fixture tilt from 0 - 45 degrees provides flexibility to optimize lighting performance

Controls

Premium solid state locking-style photocontrol - PCSS (10 year rated life)

Extreme long life solid state locking-style photocontrol - PCLL (20 year rated life)

Multi-level dimming

DE and VE options allow the fixture to be dimmed using the ROAM control system

Warranty & Standards

5 Year limited warranty. Full warranty terms located at

http://www.acuitybrands.com/CustomerResources/Terms_and_conditions.aspx

Rated for -40C to 40C ambient

CSA Certified to US and Canadian standards

MONGOOSE LED™
LED Roadway Lighting

**Infrastructure
Outdoor**



THIS DRAWING, WHEN APPROVED, SHALL BECOME THE COMPLETE SPECIFICATION FOR THE MATERIAL TO BE FURNISHED BY HOLOPHANE ON THE ORDER NOTED ABOVE. A UNIT OF SIMILAR DESIGN MAY BE ORDERED WITH THIS DRAWING. HOLOPHANE SHALL BE RESPONSIBLE FOR THE LED LIGHT ENGINE AND OPTICS. HOLOPHANE SHALL BE RESPONSIBLE FOR THE HOLOPHANE ANCHOR BOLT. THE PRINT WILL BE SUPPLIED WITH EACH ANCHOR BOLT ORDER TO MATCH THE POLE PROVIDED. THIS PRINT IS THE PROPERTY OF HOLOPHANE AND IS LOANED SUBJECT TO RETURN UPON DEMAND AND UPON EXPRESS WRITTEN NOTICE TO RETURN TO HOLOPHANE. THIS PRINT IS IN ANY WAY DETRIMENTAL TO OUR INTERESTS, AND ONLY IN CONNECTION WITH MATERIAL FURNISHED BY HOLOPHANE.

ORDER #:	
TYPE:	
DRAWN:	BGW
DATE:	9-29-16
DWG #:	MONGOOSE LED